



Praetorian® L-C LCD and Camera EMI Filter Array with ESD Protection

CM2006

Features

- Includes ESD protection, level-shifting, buffering and sync impedance matching
- VESA VSIS Version 1 Revision 2 compatible interface
- Supports optional NAVI signalling requirements
- 7 channels of ESD protection for all VGA port connector pins. All pins meet IEC-61000-4-2 Level 4 ESD requirements ($\pm 8\text{kV}$ contact discharge)
- Very low loading capacitance from ESD protection diodes on VIDEO lines (3pF maximum)
- Schmitt-triggered input buffers for HSYNC and VSYNC lines
- Bidirectional level shifting N-channel FETs provided for DDC_CLK and DDC_DATA channels
- Backdrive protection on all lines
- Compact 16-lead QSOP package
- RoHS-compliant, lead-free finishing

Applications

VGA and DVI-I ports in:

- Monitors
- TVs

Product Description

The CM2006 connects between the VGA or DVI-I port connector and the internal analog or digital flat panel controller logic. The CM2006 incorporates ESD protection for all signals, level shifting for the DDC signals and buffering for the SYNC signals. ESD protection for the video, DDC and SYNC lines is implemented with low-capacitance current steering diodes.

All connector interface pins are designed to safely handle the high current spikes specified by IEC-61000-4-2 Level 4 ($\pm 8\text{kV}$ contact discharge). The ESD protection for the DDC, SYNC and VIDEO signal pins is designed to prevent "backdrive current" when the device is powered down while connected to a video source that is powered up.

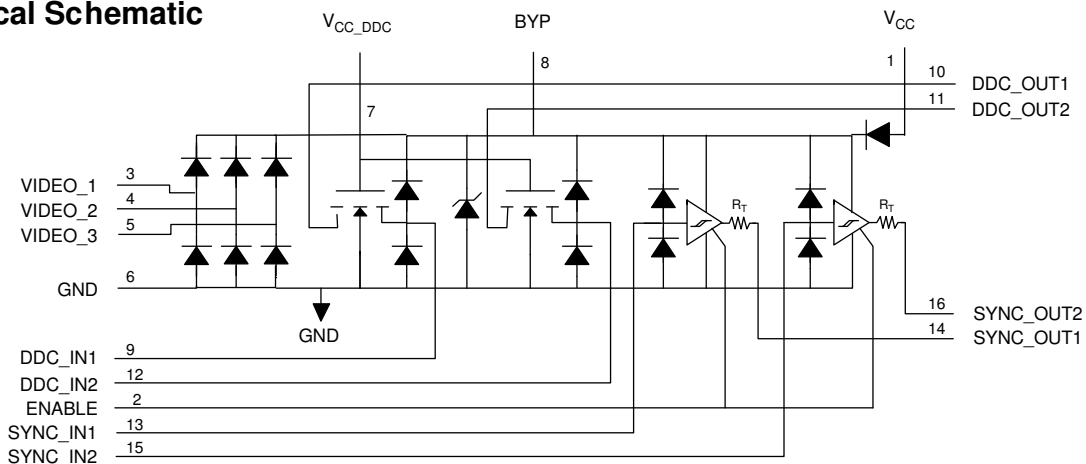
Separate positive supply rails are provided for the VIDEO / SYNC signals and DDC signals to facilitate interfacing with low voltage video controller ICs and microcontrollers to provide design flexibility in multi-supply-voltage environments.

Two Schmitt-triggered non-inverting buffers redrive and condition the HSYNC and VSYNC signals from the video connector (SYNC1, SYNC2). These buffers accept VESA VSIS compliant TTL input signals and convert them to CMOS output levels that swing between ground and V_{CC} .

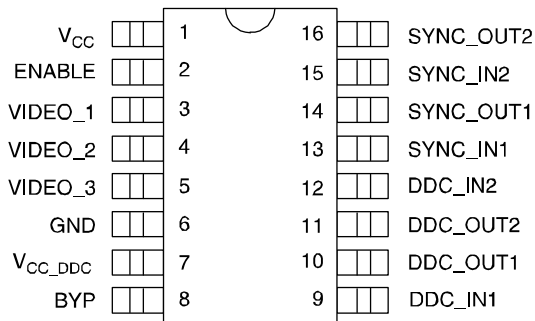
Two N-channel MOSFETs provide the level shifting function required when the DDC controller or EDID EEPROM is operated at a lower supply voltage than the monitor. The gate terminals for these MOSFETS (V_{CC_DDC}) should be connected to the supply rail (typically 3.3V, 2.5V etc.) that supplies power to the transceivers of the DDC controller.

The CM1693 is housed in space saving, low profile, 0.40mm pitch uDFN packages in a RoHS compliant, lead-free format.

Electrical Schematic



Top View



16 Pin QSOP

Note: This drawing is not to scale.

CM2006

PIN DESCRIPTIONS

LEAD(s)	NAME	DESCRIPTION
1	V _{CC}	This is a supply input for the SYNC_1 and SYNC_2 level shifters, video protection and the DDC circuits.
2	ENABLE	Active high enable. Disables the Sync buffer outputs when low.
3	VIDEO_1	Video signal ESD protection channel. This pin is typically tied one of the video lines between the controller device and the video connector.
4	VIDEO_2	Video signal ESD protection channel. This pin is typically tied one of the video lines between the controller device and the video connector.
5	VIDEO_3	Video signal ESD protection channel. This pin is typically tied one of the video lines between the controller device and the video connector.
6	GND	Ground reference supply pin.
7	V _{CC_DDC}	This is an isolated supply input for the DDC_1 and DDC_2 level-shifting N-FET gates.
8	BYP	An external 0.22uF bypass capacitor is required on this pin.
9	DDC_IN1	DDC signal input. Connects to the video connector side of one of the DDC lines.signal output.
10	DDC_OUT1	DDC signal output. Connects to the monitor DDC logic.
11	DDC_OUT	DDC signal output. Connects to the monitor DDC logic.
12	DDC_IN2	DDC signal input. Connects to the video connector side of one of the DDC lines
13	SYNC_IN1	Sync signal buffer input. Connects to the video connector side of one of the sync lines.
14	SYNC_OUT1	Sync signal buffer output. Connects to the monitor SYNC logic.
15	SYNC_IN2	Sync signal buffer input. Connects to the video connector side of one of the sync lines.
16	SYNC_OUT2	Sync signal buffer output. Connects to the monitor SYNC logic.

Ordering Information

PART NUMBERING INFORMATION

Pins	Package	Ordering Part Number ¹	Part Marking
16	QSOP	CM2006-02QR	CM2006-02QR

Note 1: Parts are shipped in Tape and Reel form unless otherwise specified.

Specifications

ABSOLUTE MAXIMUM RATINGS

PARAMETER	RATING	UNITS
V_{CC_DDC} and V_{CC} Supply Voltage Inputs	[GND - 0.5] to +6.0	V
DC Voltage at Inputs VIDEO_1, VIDEO_2, VIDEO_3 DDC_IN1, DDC_IN2 DDC_OUT1, DDC_OUT2 SYNC_IN1, SYNC_IN2, ENABLE	[GND - 0.5] to [$V_{CC} + 0.5$] [GND - 0.5] to 6.0 [GND - 0.5] to 6.0 [GND - 0.5] to [$V_{CC} + 0.5$]	V V V V
Operating Temperature Range	-40 to +85	°C
Storage Temperature Range	-40 to +150	°C
Package Power Rating ($T_A=25^{\circ}\text{C}$)	500	mW

STANDARD OPERATING CONDITIONS

PARAMETER	RATING	UNITS
Operating Temperature Range	-40 to +85	°C
V_{CC}	5	V

ELECTRICAL OPERATING CHARACTERISTICS (SEE NOTE 1)

SYMBOL	PARAMETER	CONDITIONS	MIN	TYP	MAX	UNITS
I_{CC_DDC}	V_{CC_DDC} Supply Current	$V_{CC_DDC} = 5.0V$			10	μA
I_{CC}	V_{CC} Supply Current	$V_{CC} = 5V$; SYNC inputs at GND or V_{CC} ; SYNC outputs unloaded			1	mA
		$V_{CC} = 5V$; SYNC inputs at 3.0V; SYNC outputs unloaded			2.0	mA
V_F	ESD Diode Forward Voltage	$I_F = 10mA$			1.0	V
V_{IH}	Logic High Input Voltage	$V_{CC} = 5.0V$; Note 2	2.0			V
V_{IL}	Logic Low Input Voltage	$V_{CC} = 5.0V$; Note 2			0.5	V
V_{HYS}	Hysteresis Voltage	$V_{CC} = 5.0V$; Note 2		400		mV
V_{OH}	Logic High Output Voltage	$I_{OH} = 0mA$, $V_{CC} = 5.0V$; Note 2	4.0			V
V_{OL}	Logic Low Output Voltage	$I_{OL} = 0mA$, $V_{CC} = 5.0V$; Note 2			0.15	V
R_{OUT}	SYNC Driver Output Resistance	$V_{CC} = 5.0V$; SYNC Inputs at GND or 3.0V	7	15	24	Ω
I_{IN}	Input Current VIDEO Inputs	$V_{CC} = 5.0V$; $V_{IN} = V_{CC}$ or GND			± 10	μA
	SYNC_IN1, SYNC_IN2 Inputs	$V_{CC} = 5.0V$; $V_{IN} = V_{CC}$ or GND			± 10	μA
I_{OFF}	Level Shifting N-MOSFET "OFF" State Leakage Current	$(V_{CC_DDC} - V_{DDC_IN}) \ 0.4V$; $V_{DDC_OUT} = V_{CC_DDC}$			10	μA
		$(V_{CC_DDC} - V_{DDC_OUT}) \ 0.4V$; $V_{DDC_IN} = V_{CC_DDC}$			10	μA
$I_{BACKDRIVE}$	Current conducted from input pins when V_{CC} is powered down.	$V_{CC} < V_{INPUT_PIN}$; Note 5		10		μA
V_{ON}	Voltage Drop Across Level-shifting N-MOSFET when "ON"	$V_{CC_DDC} = 2.5V$; $V_S = GND$; $I_{DS} = 3mA$;			0.18	V
C_{IN_VID}	VIDEO Input Capacitance	$V_{CC} = 5.0V$; $V_{IN} = 2.5V$; $f = 1MHz$			3	pF
		$V_{CC} = 2.5V$; $V_{IN} = 1.25V$; $f = 1MHz$			3.5	pF
t_{PLH}	SYNC Driver L => H Propagation Delay	$C_L = 50pF$; $V_{CC} = 5.0V$; Input t_r and $t_f \ 5ns$			12	ns
t_{PHL}	SYNC Driver H => L Propagation Delay	$C_L = 50pF$; $V_{CC} = 5.0V$; Input t_r and $t_f \ 5ns$			12	ns
t_r, t_f	SYNC Driver Output Rise & Fall Times	$C_L = 50pF$; $V_{CC} = 5.0V$; Input t_r and $t_f \ 5ns$		3		ns
V_{ESD1}	ESD Withstand Voltage, Sync_out pins only	$V_{CC} = 5V$; Notes 3 and 4	± 2			kV
V_{ESD}	ESD Withstand Voltage	$V_{CC} = 5V$; Notes 3 and 5	± 8			kV

Note 1: All parameters specified over standard operating conditions unless otherwise noted.

Note 2: These parameters apply only to the SYNC drivers. Note that $R_{OUT} = R_T + R_{BUFFER}$.

Note 3: Per the IEC-61000-4-2 International ESD Standard, Level 4 contact discharge method. BYP and V_{CC} must be bypassed to GND via a low impedance ground plane with a 0.22 μF , low inductance, chip ceramic capacitor at each supply pin. ESD pulse is applied between the applicable pins and GND. ESD pulses can be positive or negative with respect to GND. Applicable pins are: VIDEO_1, VIDEO_2, VIDEO_3, SYNC_IN1, SYNC_IN2, DDC_IN1 and DDC_IN2. All pins are ESD protected to the industry standard $\pm 2kV$ Human Body Model (MIL-STD-883, Method 3015).

Note 4: This specification applies to the SYNC_OUT pins only.

Note 5: Applicable pins are: VIDEO_1, VIDEO_2, VIDEO_3, SYNC_IN1, SYNC_IN2, DDC_IN1 and DDC_IN2.

Application Information

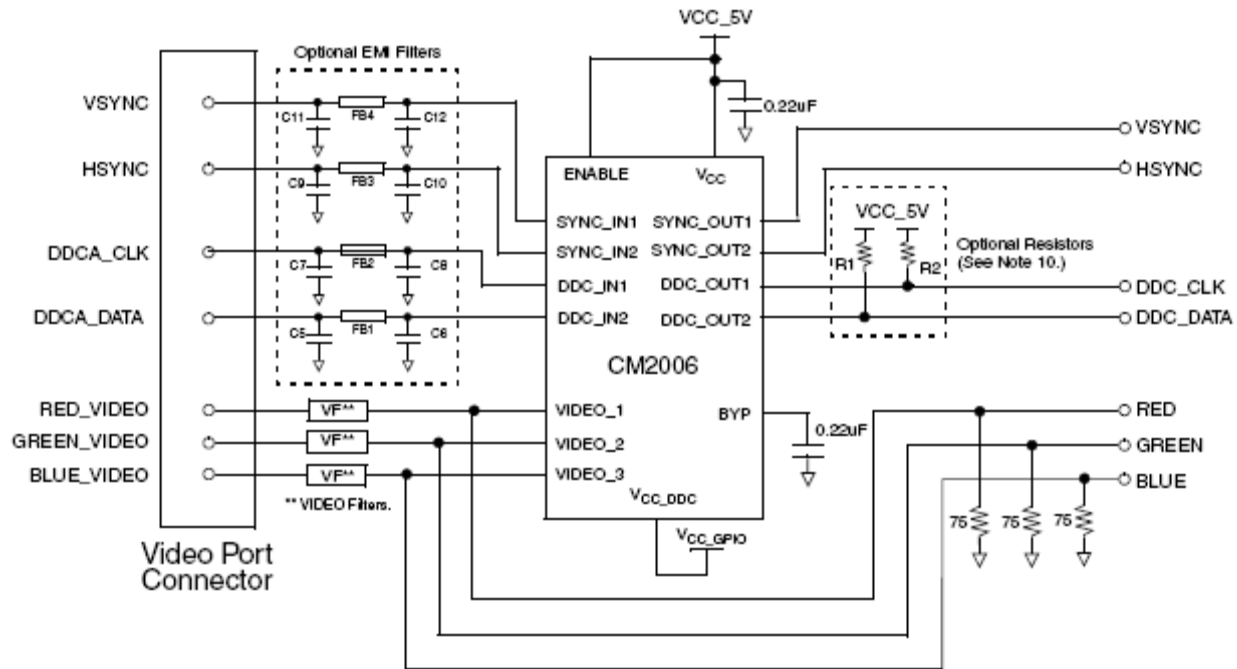


Figure 1. Typical Application Connection Diagram

NOTES

- 1 The CM2006 should be placed as close to the VGA or DVI-I connector as possible.
- 2 The ESD protection channels VIDEO_1, VIDEO_2, VIDEO_3 may be used interchangeably between the R, G, B signals.
- 3 If differential video signal routing is used, the RED, BLUE, and GREEN signal lines should be terminated with external 37.5 ohm resistors.
- 4 "VF" are external video filters for the RGB signals.
- 5 Supply bypass capacitors C1 and C2 must be placed immediately adjacent to the corresponding Vcc pins. Connections to the Vcc pins and ground plane must be made with minimal length copper traces (preferably less than 5mm) for best ESD protection.
- 6 The bypass capacitor for the BYP pin has been omitted in this diagram. This results in a reduction in the maximum ESD withstand voltage at the DDC_OUT pins from $\pm 8\text{kV}$ to $\pm 2\text{kV}$. If 8kV ESD protection is required, a $0.22\mu\text{F}$ ceramic bypass capacitor should be connected between BYP and ground.
- 7 The SYNC buffers may be used interchangeably between HSYNC and VSYNC.
- 8 The EMI filters at the SYNC_OUT and DDC_OUT pins (C5 to C12, and Ferrite Beads FB1 to FB4) are for reference only. The component values and filter configuration may be changed to suit the application.
- 9 The DDC level shifters DDC_IN, DDC_OUT, may be used interchangeably between DDCA_CLK and DDCA_DATA.
- 10 R1, R2 are optional. They may be used, if required, to pull the DDC_CLK and DDC_DATA lines to VCC_5V when no VGA card is connected to the VGA monitor. If used, it should be noted that "back current" may flow between the DDC pins and VCC_5V via these resistors when VCC_5V is powered down.

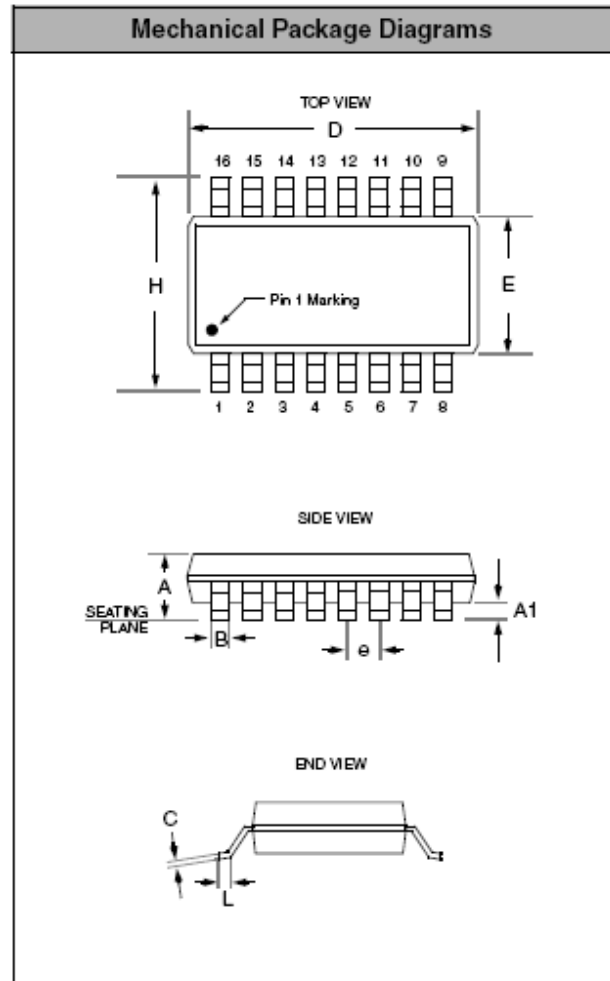
CM2006

Mechanical Details

QSOP Mechanical Specifications

CM2006 devices are packaged in 16-pin QSOP packages. Dimensions are presented below.

PACKAGE DIMENSIONS				
Package	QSOP (JEDEC name is SSOP)			
Pins	16			
Dimensions	Millimeters		Inches	
	Min	Max	Min	Max
A	1.35	1.75	0.053	0.069
A1	0.10	0.25	0.004	0.010
B	0.20	0.30	0.008	0.012
C	0.18	0.25	0.007	0.010
D	4.80	5.00	0.189	0.197
E	3.81	3.98	0.150	0.157
e	0.64 BSC		0.025 BSC	
H	5.79	6.19	0.228	0.244
L	0.40	1.27	0.016	0.050
# per tube	100 pcs*			
# per tape and reel	2500 pcs			
Controlling dimension: inches				

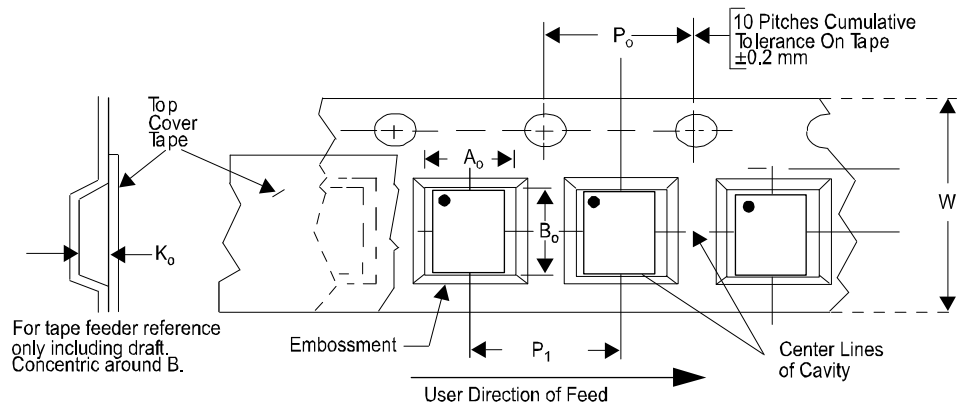



Package Dimensions for QSOP-16

* This is an approximate number which may vary.

Tape and Reel Specifications

PART NUMBER	PACKAGE SIZE (mm)	POCKET SIZE (mm) $B_o \times A_o \times K_o$	TAPE WIDTH W	REEL DIAMETER	QTY PER REEL	P_o	P_1
CM2006	4.90 X 3.89 X 1.55	5.30 X 6.50 X 2.10	12mm	330mm (13")	2500	4mm	8mm



ON Semiconductor and  are registered trademarks of Semiconductor Components Industries, LLC (SCILLC). SCILLC reserves the right to make changes without further notice to any products herein. SCILLC makes no warranty, representation or guarantee regarding the suitability of its products for any particular purpose, nor does SCILLC assume any liability arising out of the application or use of any product or circuit, and specifically disclaims any and all liability, including without limitation special, consequential or incidental damages. "Typical" parameters which may be provided in SCILLC data sheets and/or specifications can and do vary in different applications and actual performance may vary over time. All operating parameters, including "Typicals" must be validated for each customer application by customer's technical experts. SCILLC does not convey any license under its patent rights nor the rights of others. SCILLC products are not designed, intended, or authorized for use as components in systems intended for surgical implant into the body, or other applications intended to support or sustain life, or for any other application in which the failure of the SCILLC product could create a situation where personal injury or death may occur. Should Buyer purchase or use SCILLC products for any such unintended or unauthorized application, Buyer shall indemnify and hold SCILLC and its officers, employees, subsidiaries, affiliates, and distributors harmless against all claims, costs, damages, and expenses, and reasonable attorney fees arising out of, directly or indirectly, any claim of personal injury or death associated with such unintended or unauthorized use, even if such claim alleges that SCILLC was negligent regarding the design or manufacture of the part. SCILLC is an Equal Opportunity/Affirmative Action Employer. This literature is subject to all applicable copyright laws and is not for resale in any manner.

PUBLICATION ORDERING INFORMATION

LITERATURE FULFILLMENT:

Literature Distribution Center for ON Semiconductor
P.O. Box 5163, Denver, Colorado 80217 USA
Phone: 303-675-2175 or 800-344-3860 Toll Free USA/Canada
Fax: 303-675-2176 or 800-344-3867 Toll Free USA/Canada
Email: orderlit@onsemi.com

N. American Technical Support: 800-282-9855
Toll Free USA/Canada
Europe, Middle East and Africa Technical Support:
Phone: 421 33 790 2910
Japan Customer Focus Center
Phone: 81-3-5773-3850

ON Semiconductor website: www.onsemi.com

Order Literature: <http://www.onsemi.com/orderlit>

For additional information, please contact your local Sales Representative